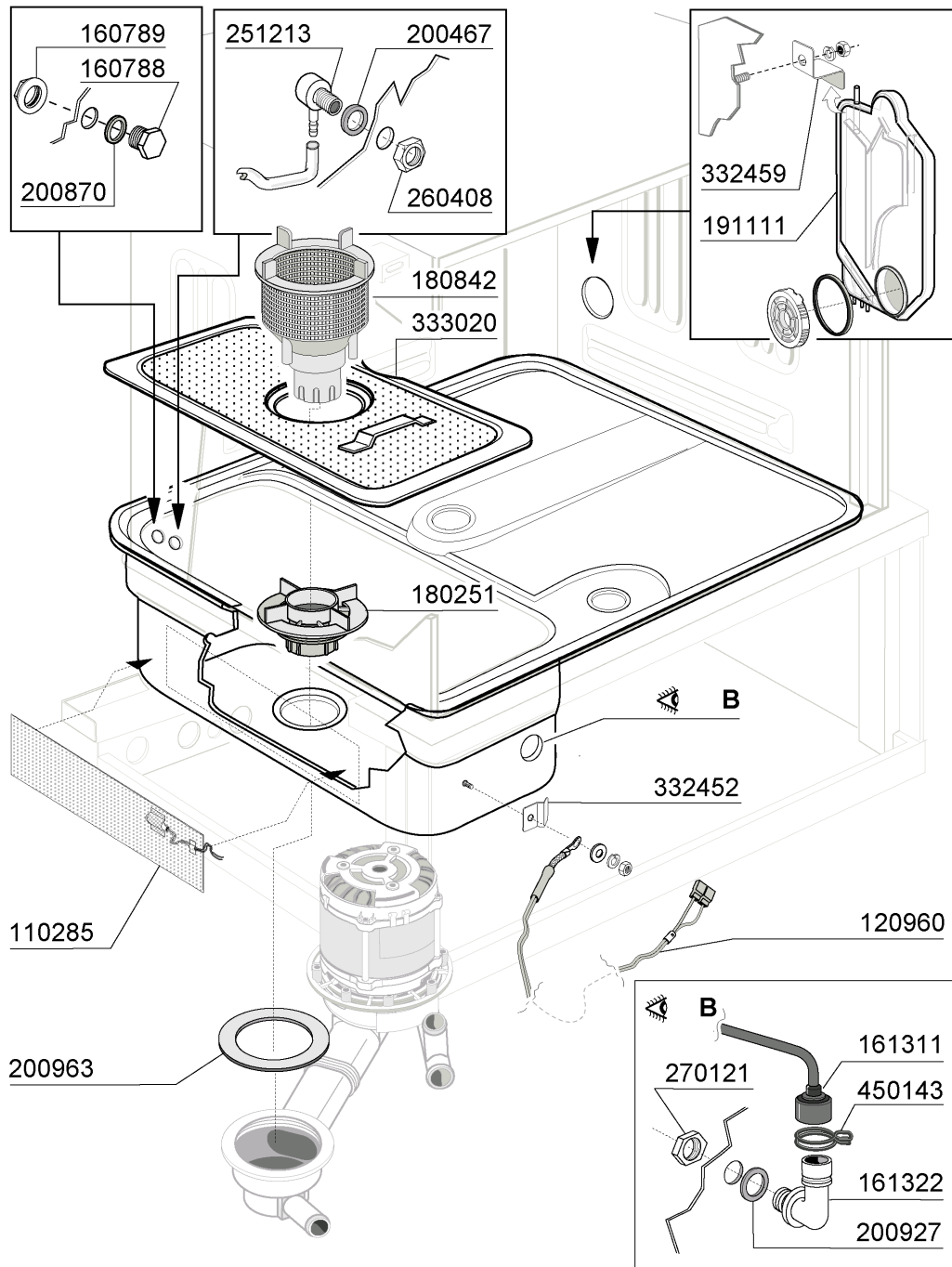


03 - 2008 | M. SA.

AGGIORNATO al: 25 MARZO 08

2 - Hood

| CODE | DESCRIPTION |
|-------------|-------------------------------|
| 120304 | DOOR MICROSWITCH |
| 150819 | CABLE HOLDER PG16 WITH HOLE |
| 150849 | PASSAC. RIGIDO TUBI FC2006 |
| 150850 | FERMATUBO PRESS.A MOLLETTA |
| 160542 | SCREW SUPPORT |
| 160552 | SPRING SUPPORT |
| 160553 | SCREW |
| 190679 | PIN |
| 200219 | RUBBER GASKET |
| 210207 | FOOT BHC |
| 260201 | SCREW TCP 3X10 |
| 260206 | SCREW TCP 4X22 |
| 260715 | SCREW 3,5X16 |
| 322357 | COVER FCE |
| 323154 | DOOR FC3 |
| 323163 | DOOR FC4 |
| 330893 | BUSH |
| 340416 | PIN |
| 341218 | HINGE PIN B-F-G |
| 342321 | HOOD FC4 |
| 342322 | HOOD FC3 |
| 352029 | RIGHT SIDE PANEL |
| 352030 | LEFT SIDE PANEL FC4 |
| 352031 | RIGHT SIDE PANEL FC3 |
| 352032 | LEFT SIDE PANEL FC3 |
| 352033 | FRONT PANEL FC2006 |
| 390188 | BACK PANEL |
| 390189 | BACK PANEL FC3 |
| 391334 | SPRING FOR DOOR FC4 |
| 391335 | DOOR CATCH SPRING |
| 391336 | DOOR SPRING FC3 |
| 450821 | SPRING CLIP FASTENER SNU 3634 |

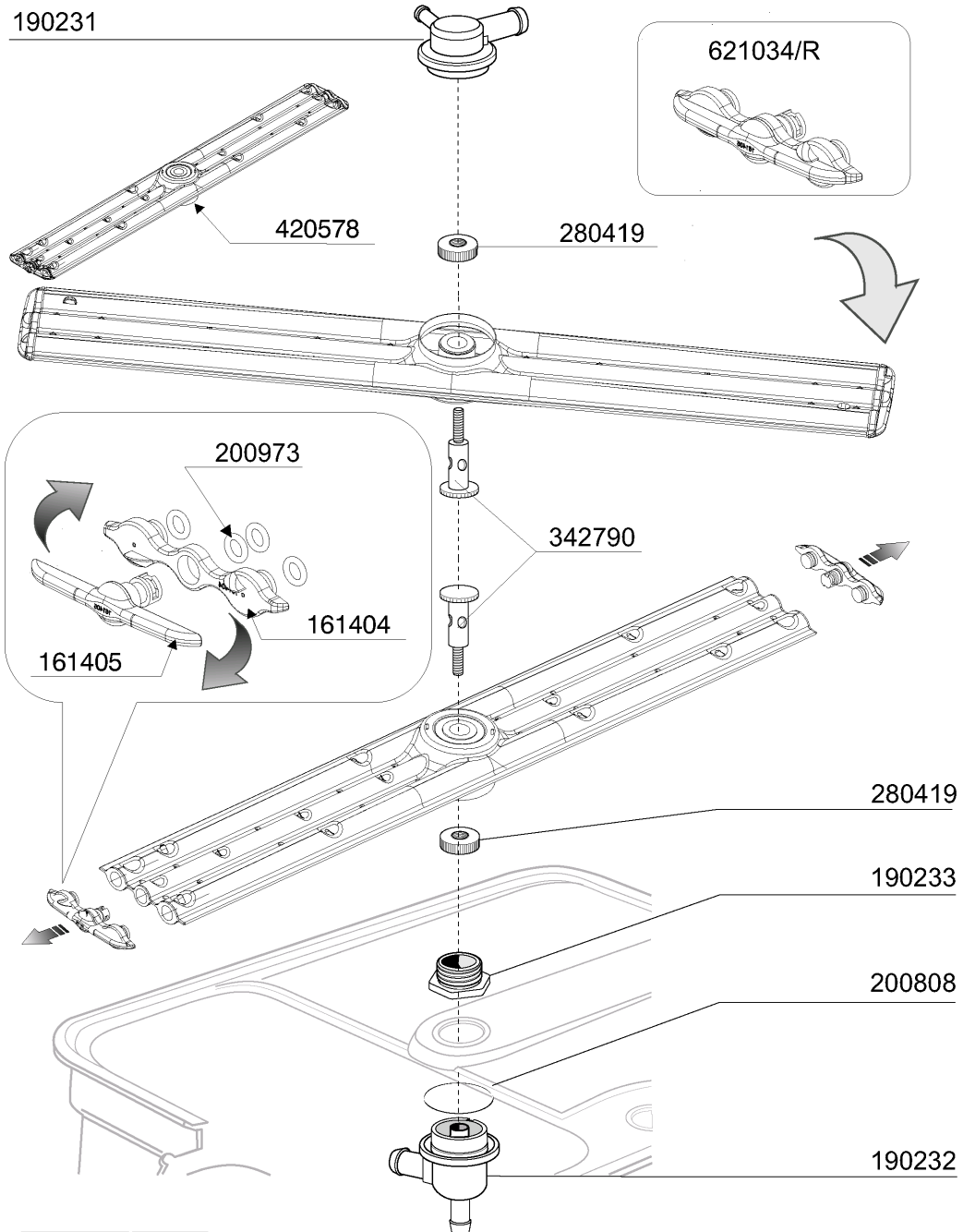


AGGIORNAMENTO al: 26 MARZO 08

03-2008 | M. SA.

3 - Tank

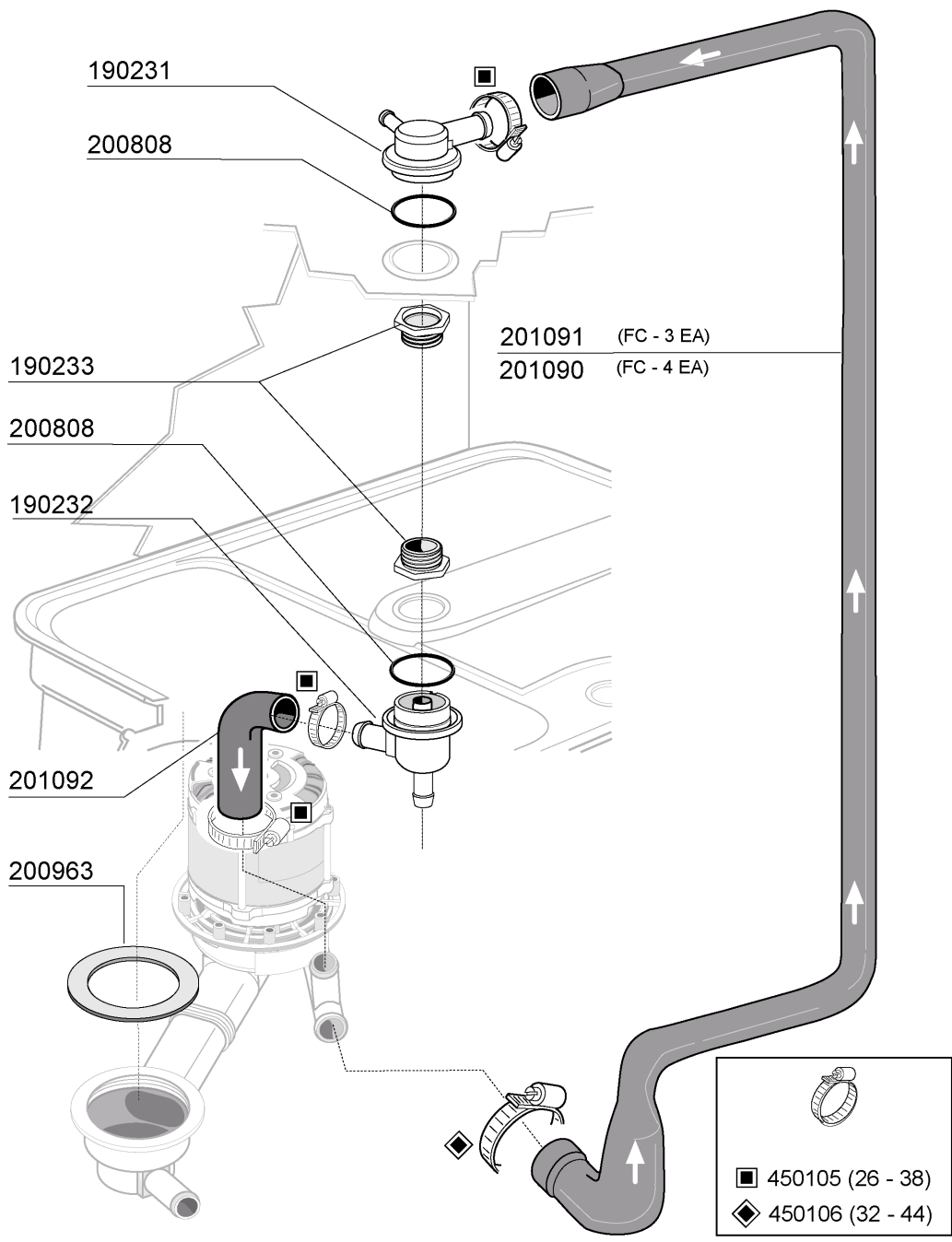
| CODE | DESCRIPTION |
|-------------|--------------------------------|
| 110285 | HEATER 500W |
| 120960 | PROBE C-G |
| 160788 | PLUG |
| 160789 | NUT |
| 161311 | HOSE FOR AIR CHAMBER BC-BR-AC9 |
| 161322 | AIR TRAP FC2006 |
| 180251 | FIXING NUT FOR PUMP FC2006 |
| 180842 | FCE+HRT FILTER |
| 191111 | BREAK TANK (SOFTENER) |
| 200467 | DUTRAL GASKET F. AIR TRAP |
| 200870 | GASKET 18X10X2 |
| 200927 | GASKET FOR AIR TRAP |
| 200963 | JOINT 110X88X3 |
| 251213 | INJECTIOR S/S FOR DETERGENT IN |
| 260408 | S/S NUTS D.12 |
| 270121 | NUT FOR AIR TRAP |
| 332452 | BRACKET |
| 332459 | BRACKET |
| 333020 | TANK FILTER FC2006 |
| 450143 | CLAMP D.39,7 X 37,7 |



01-2011 M. SA.

4 - Wash arm

| CODE | DESCRIPTION |
|----------|----------------------------|
| 161404 | PLUG |
| 161405 | PLUG |
| 190231 | UPPER ARM SUPPORT FC2006 |
| 190232 | LOWER ARM SUPPORT FC2006 |
| 190233 | ARM SUPPORT |
| 200808 | OR GASKET 3,53X50,80X57,86 |
| 200973 | JOINT OR 1.78X5.28 |
| 280419 | LOCK NUT |
| 342790 | RINSE SUPPORT |
| 420578 | WASH AND RINSE ARM FC2006 |
| 621034/R | ARM PLUG |

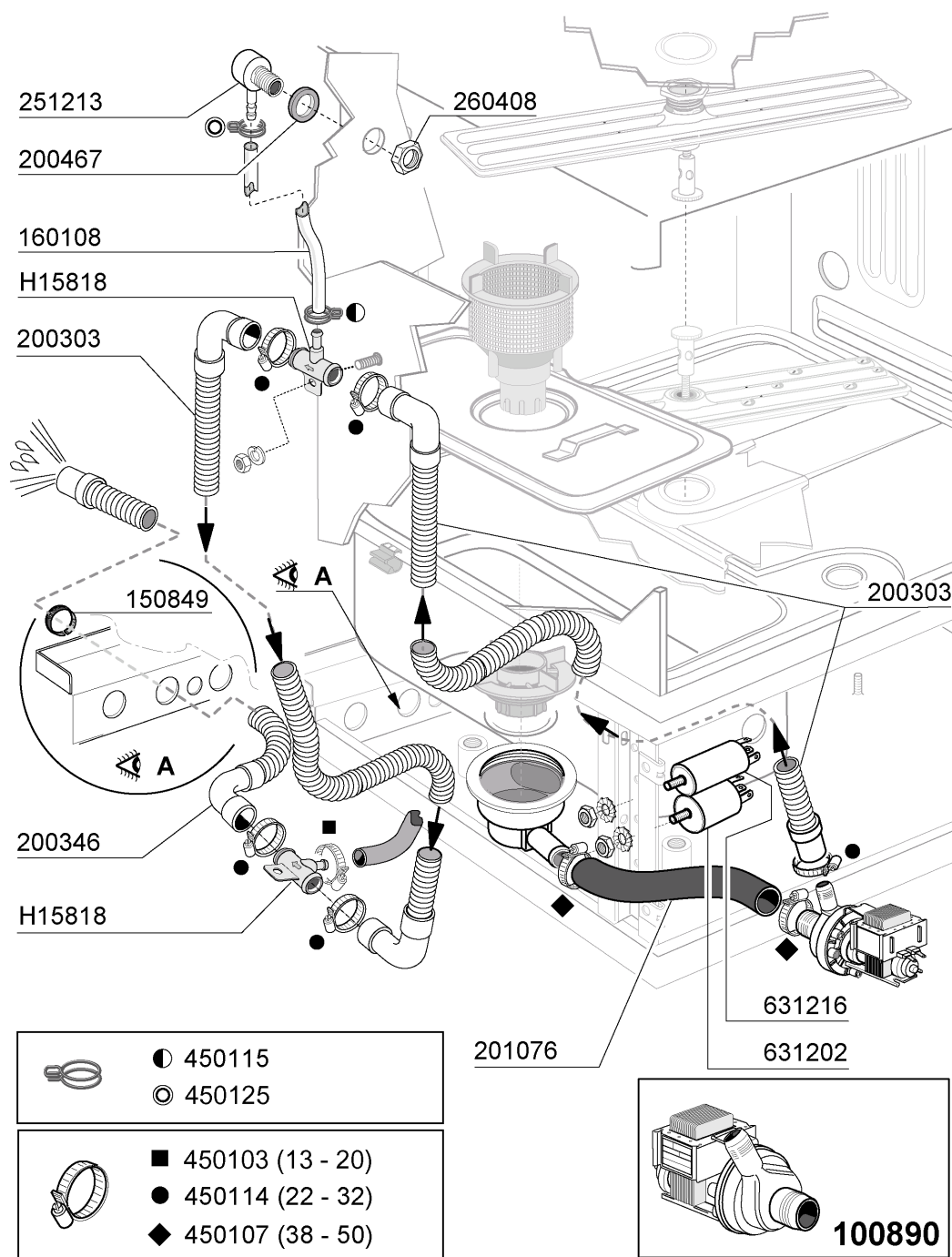


AGGIORNAMENTO AL: 25 MARZO 08

03 - 2008 | M. SA.

5 - Wash

| CODE | DESCRIPTION |
|-------------|----------------------------|
| 190231 | UPPER ARM SUPPORT FC2006 |
| 190232 | LOWER ARM SUPPORT FC2006 |
| 190233 | ARM SUPPORT |
| 200808 | OR GASKET 3,53X50,80X57,86 |
| 200963 | JOINT 110X88X3 |
| 201090 | UPPER WASH HOSE FC4 |
| 201091 | WASH HOSE FC3 |
| 201092 | LOWER WASH HOSE FC |
| 450105 | CLAMP FE ZN. 26-38 H=12,2 |
| 450106 | CLAMP FE ZN 32-44 H=12,2 |

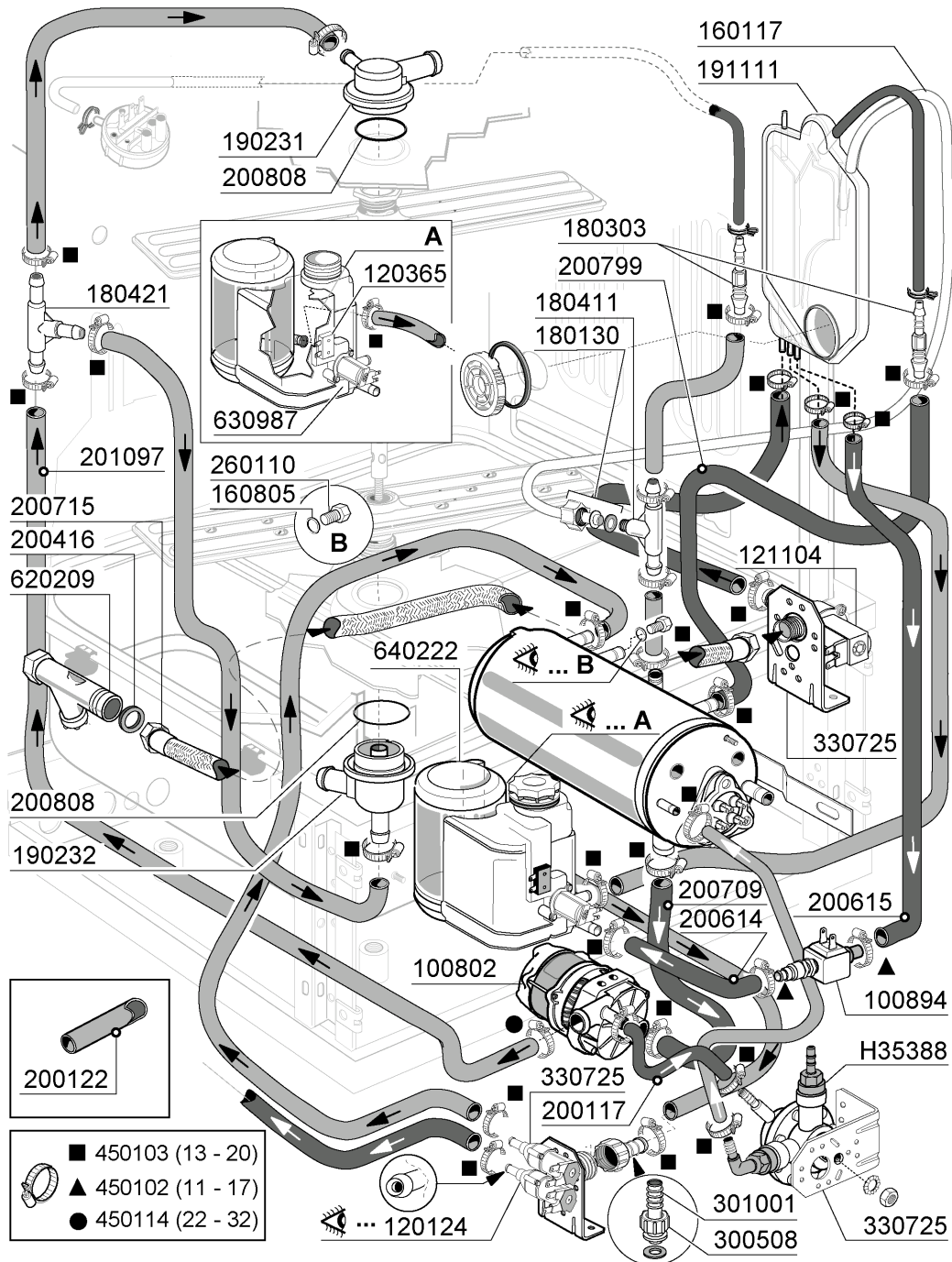


AGGIORNAMENTO al: 27 MARZO 08

03 - 2008 | M. SA.

6 - Drain pump

| CODE | DESCRIPTION |
|-------------|--------------------------------|
| 100890 | DRAIN PUMP 30W 220/50 |
| 150849 | PASSAC. RIGIDO TUBI FC2006 |
| 160108 | INJECT.INLET HOSE D.8X5 |
| 200303 | CONNECTION HOSE FOR DRAIN PUMP |
| 200346 | DRAIN HOSE GLASSWASHER |
| 200467 | DUTRAL GASKET F. AIR TRAP |
| 201076 | HOSE |
| 251213 | INJECTIOR S/S FOR DETERGENT IN |
| 260408 | S/S NUTS D.12 |
| 450103 | CLAMP FE ZN. 13-20 H=9 |
| 450107 | CLAMP FE ZN 38-50 H=12,2 |
| 450114 | CLAMP FE ZN.22-32 H=12,2 |
| 450115 | ELASTIC CLAMP D.8,3/7,8 |
| 450125 | ELASTIC CLAMP D. 10,4X9,8 |
| 631202 | CONDENSER 16 MF 450V |
| 631216 | CAPACITOR 6.3 MF 450V |
| H15818 | DISCHARGE VALVE |

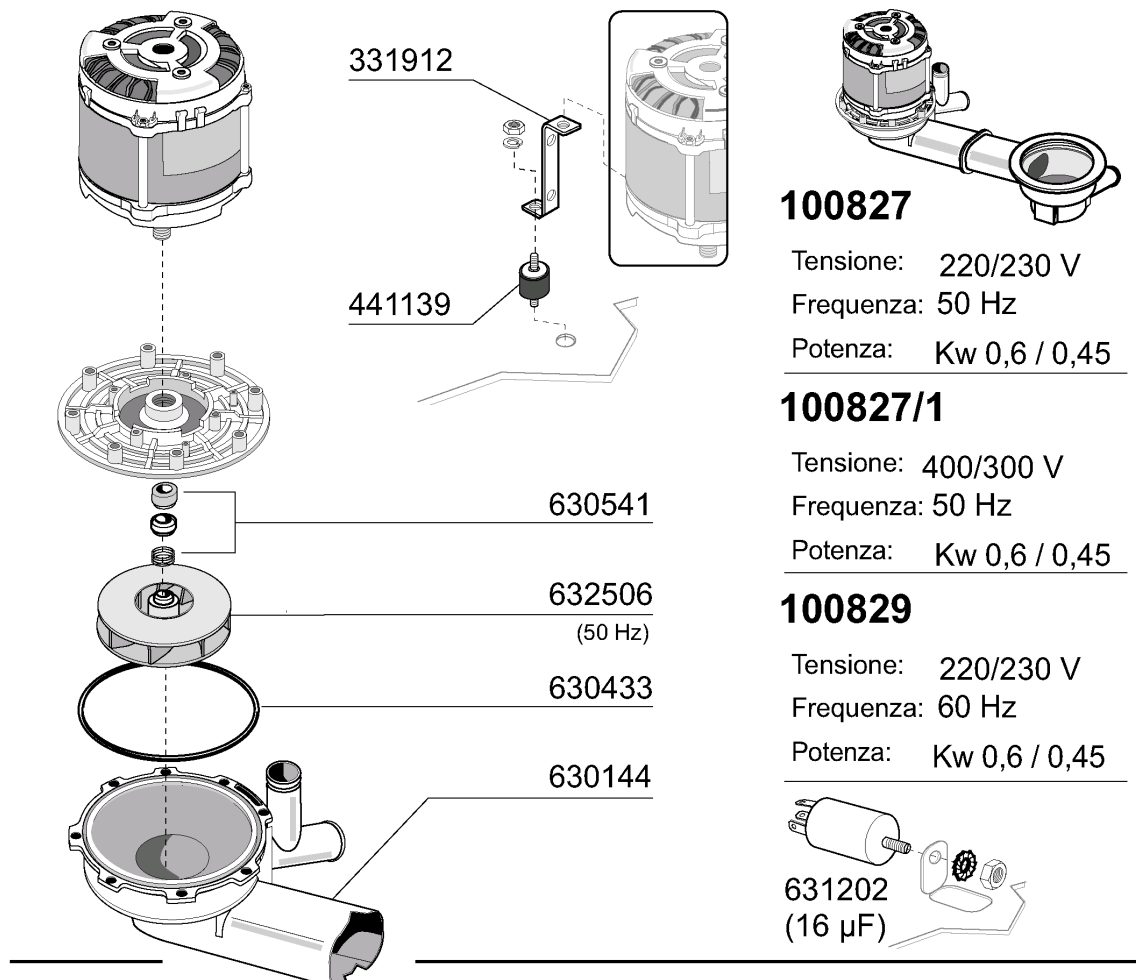


AGGIORNAMENTO al: 14 LUGLIO 08

06 - 2008 | M. SA.

7 - Rinse

| CODE | DESCRIPTION |
|--------|--------------------------------|
| 100802 | PUMP HP 0,3 230V-50HZ |
| 100894 | RINSE PUMP |
| 120124 | 2-WAY SOLENOID VALVE 230V 90° |
| 120365 | MICROSWITCH FOR SOFTENER |
| 121104 | SOLENOID VALVE 8 LT/M |
| 160117 | HOSE 6,3X1,1 WITHE |
| 160805 | GASKET D.8 |
| 180130 | CONNECTION NUT FOR BY PASS (1/ |
| 180303 | DOUBLE HOSE BARB |
| 180411 | TEE-NIPPLE FOR BY PASS "BTM" |
| 180421 | HOSE BARB "T" |
| 190231 | UPPER ARM SUPPORT FC2006 |
| 190232 | LOWER ARM SUPPORT FC2006 |
| 191111 | BREAK TANK (SOFTENER) |
| 200117 | RUBBER HOSE 7X16 |
| 200122 | HOSE 11X19 |
| 200416 | GASKET D. 3/4" |
| 200614 | HOSE PUMP/SOFTENER |
| 200615 | HOSE PUMP/BREAK TANK |
| 200709 | RINSE PUMP INLET HOSE |
| 200715 | HOSE WATER INLET 2M STAINL.ST |
| 200799 | HOSE |
| 200808 | OR GASKET 3,53X50,80X57,86 |
| 201097 | HOSE |
| 260110 | SCREW TE 8X10 |
| 300508 | LOCK NUT 3/4" |
| 301001 | NIPPLE FE-ZN 3/4" |
| 330725 | STANDARD BRACKET F.SOLEN.VALV |
| 450102 | CLAMP FE ZN 11-17 H=9 |
| 450103 | CLAMP FE ZN. 13-20 H=9 |
| 450114 | CLAMP FE ZN.22-32 H=12,2 |
| 620209 | INLET WATER FILTER |
| 630987 | COIL FOR SOFTENER |
| 640222 | WATER SOFTENER 0,7 LT |
| H35388 | RINSE AID INJECTOR GF70/FC-E |



100827

Tensione: 220/230 V
 Frequenza: 50 Hz
 Potenza: Kw 0,6 / 0,45

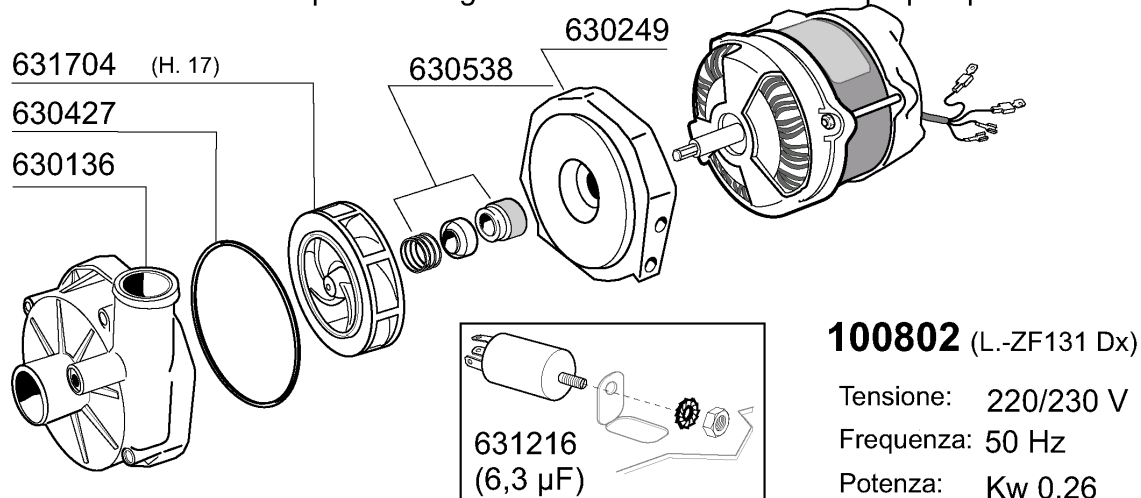
100827/1

Tensione: 400/300 V
 Frequenza: 50 Hz
 Potenza: Kw 0,6 / 0,45

100829

Tensione: 220/230 V
 Frequenza: 60 Hz
 Potenza: Kw 0,6 / 0,45

Risciacquo - Rincage - Rinse - Aclarado - Nachspülpumpe



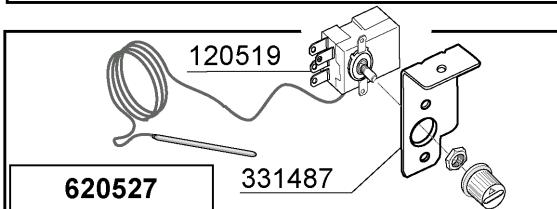
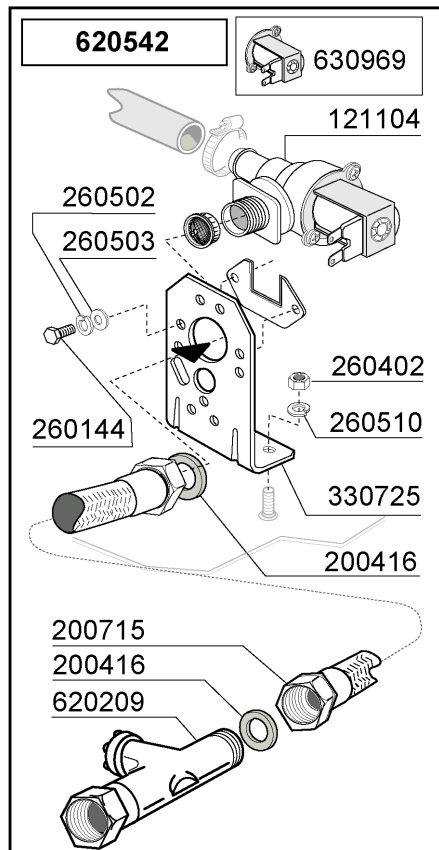
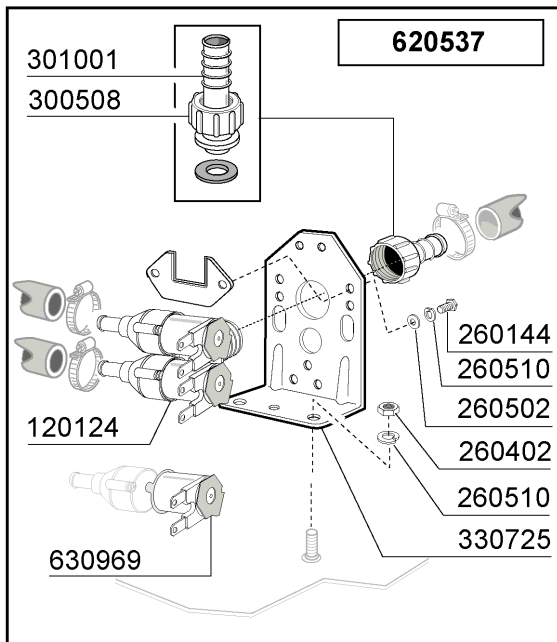
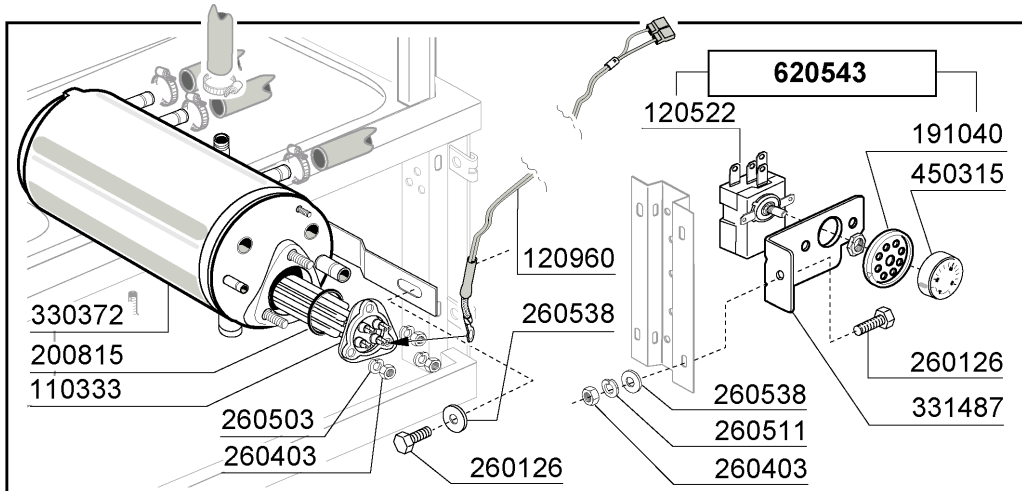
100802 (L.-ZF131 Dx)

Tensione: 220/230 V
 Frequenza: 50 Hz
 Potenza: Kw 0,26

05- 2011 | M. SA.

8 - Pump

| CODE | DESCRIPTION |
|-------------|--------------------------------|
| 100802 | PUMP HP 0,3 230V-50HZ |
| 100827 | WASH PUMP HP0,6 FC2006 |
| 100827/1 | PUMP HP 0,6 LGB FC06 400/3/50 |
| 100829 | PUMP HP 0,6 LGB FC06 60HZ |
| 331912 | BRACKET |
| 441139 | VIBRATION-DAMPING FEET 25X20X6 |
| 630136 | PUMP VOLUTE LGB ZF131DX |
| 630144 | PUMP VOLUTE |
| 630249 | PUMP FLANGE ZF131 DX |
| 630427 | O-RING FOR PUMP ZF131DX |
| 630433 | GASKET FOR PUMP 100827 |
| 630538 | SEAL LGBZF131DX |
| 630541 | SEAL FOR PUMP 100827 |
| 631202 | CONDENSER 16 MF 450V |
| 631216 | CAPACITOR 6.3 MF 450V |
| 631704 | PUMP IMPELLER ZF131DX |
| 632506 | PUMP IMPELLER 100827 50HZ |

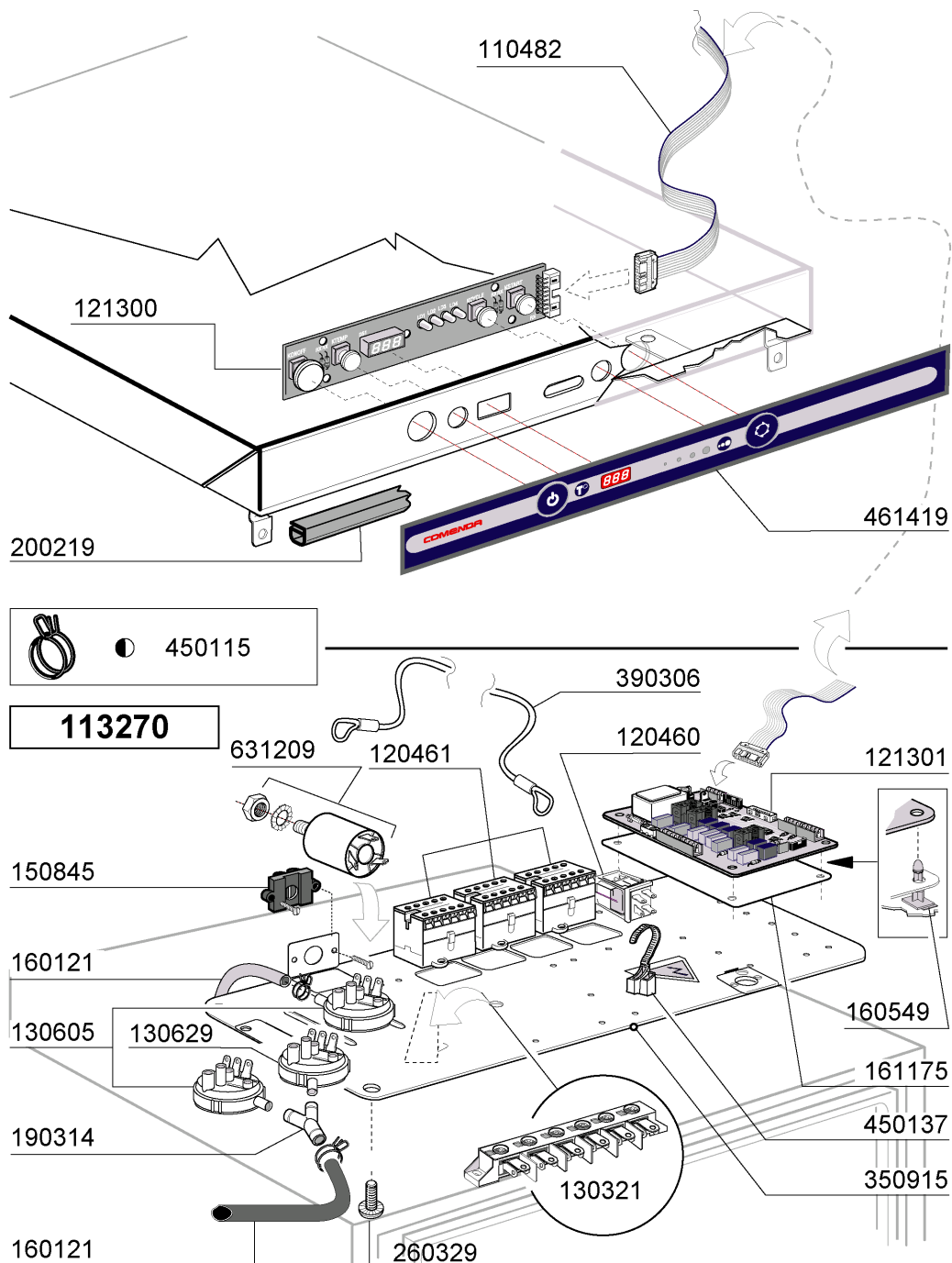


Aggiornato al: 27 Marzo 08

03-2008 | M. SA.

9 - Thermostat/solenoid valve group

| CODE | DESCRIPTION |
|--------|--------------------------------|
| 110333 | HEATER 7KW 230/400V |
| 120124 | 2-WAY SOLENOID VALVE 230V 90Ø |
| 120519 | SECURITY THERMOSTAT 95-125Ø |
| 120522 | TANK THERMOSTAT 90Ø |
| 120960 | PROBE C-G |
| 121104 | SOLENOID VALVE 8 LT/M |
| 191040 | FRAME F.THERMOSTAT KNOB |
| 200416 | GASKET D. 3/4" |
| 200715 | HOSE WATER INLET 2M STAINL.ST |
| 200815 | O-RING F. HEAT.ELEM. |
| 260126 | SCREW TE 5X12 |
| 260144 | SCREW TE 4X6 |
| 260402 | STAINLESS STEEL NUT D4 UNI 55 |
| 260403 | NUTS D.5 |
| 260502 | S/S FLAT WASHER D.4 |
| 260503 | STAINL.STEEL FLAT WASHER D5 UN |
| 260510 | GROWER WASHER D.4 |
| 260511 | GROWER WASHER D.5 |
| 260538 | WASHER 18X6X1,5 ST/ST |
| 300508 | LOCK NUT 3/4" |
| 301001 | NIPPLE FE-ZN 3/4" |
| 330372 | BOILER FC2006 |
| 330725 | STANDARD BRACKET F.SOLEN.VALV |
| 331487 | BRACKET FOR 1 THERMOSTAT |
| 450315 | KNOB F. THERMOSTAT 90Ø |
| 620209 | INLET WATER FILTER |
| 620527 | SECURITY THERMOSTAT (120519) |
| 620537 | 2-WAY SOLENOID VALVE |
| 620542 | SOLENOID VALVE ASSY |
| 620543 | TANK THERMOSTAT ASSY |
| 630969 | COIL S4216 220/50HZ |

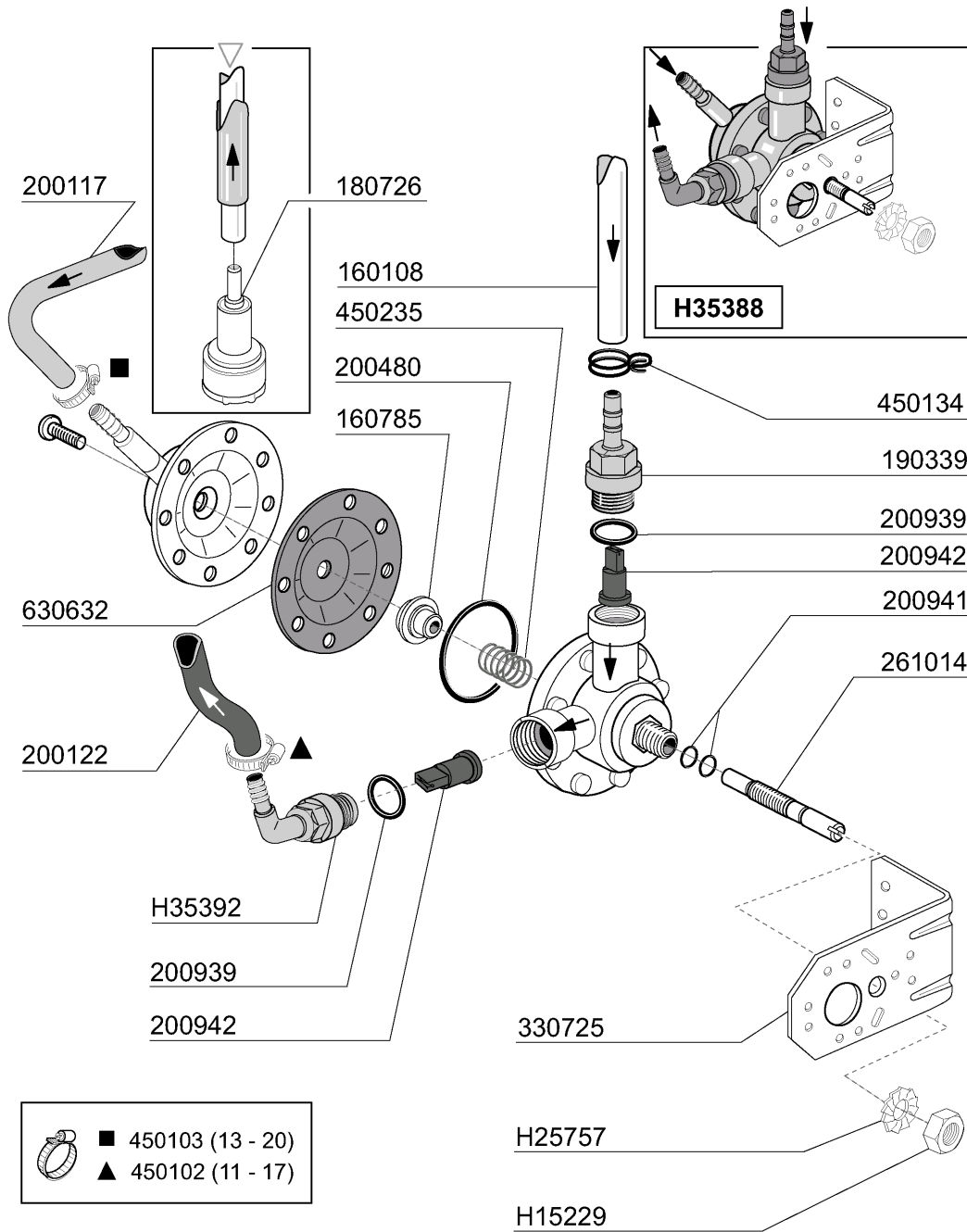


03-2008 | M. SA.

AGGIORNAMENTO al: 25 MARZO 08

10 - Control box

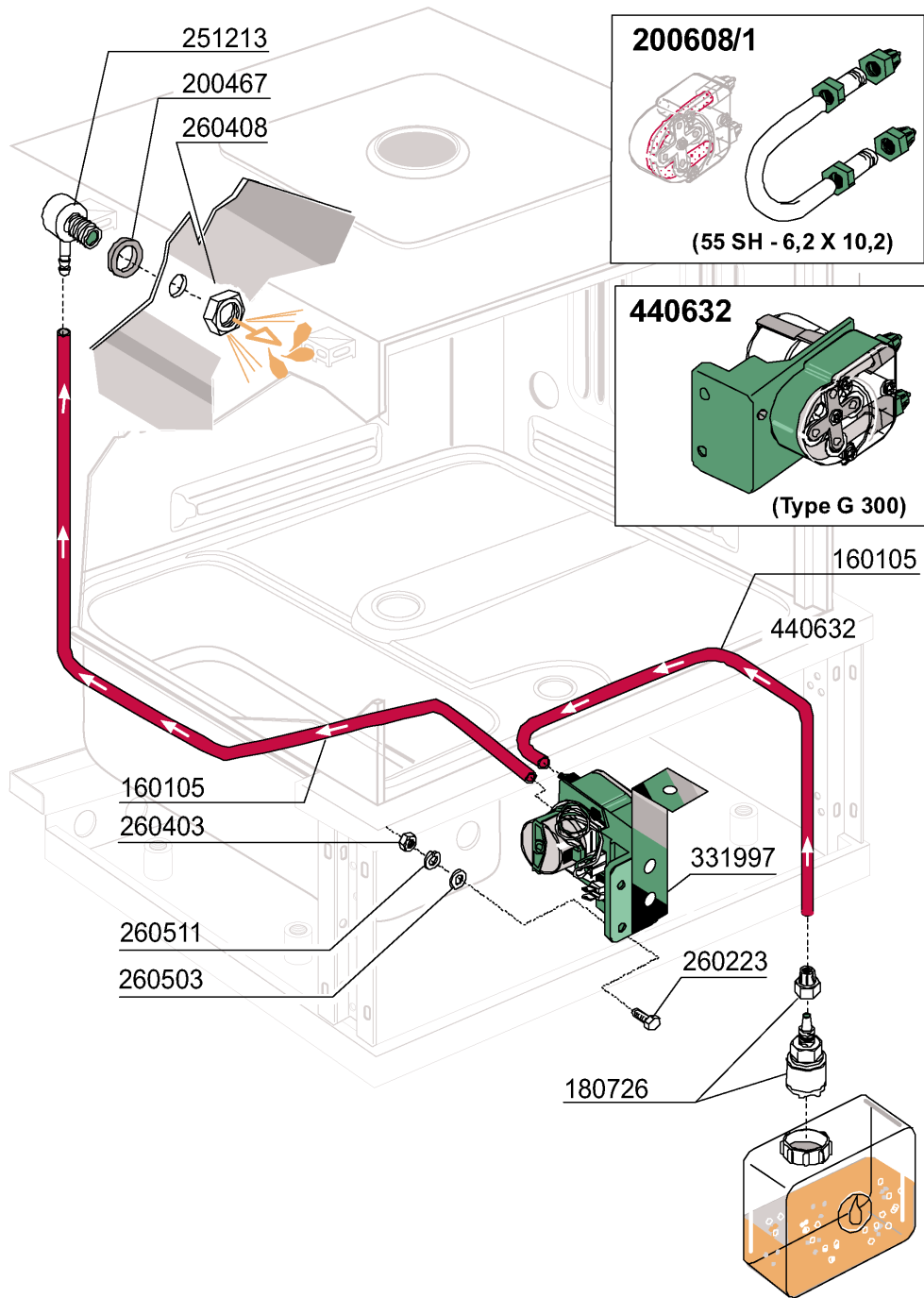
| CODE | DESCRIPTION |
|-------------|--------------------------------|
| 110482 | CABLE FOR PCB FC-C-GE |
| 113270 | CABLE FCEA |
| 120460 | RELAY 16A 220V |
| 120461 | CONTACTOR ABB B6-30-01 220V |
| 121300 | CONTROL PANEL PCB FCE |
| 121301 | PCB FCE |
| 130321 | JUNCTION BOX 6 CONNECTORS |
| 130605 | PRESSURE SWITCH 50-30 1 LEVEL |
| 130629 | PRESSURE SWITCH 1L30-12 |
| 150845 | PRESSACAVO SERIM 4228B |
| 160121 | HOSE EPDM D. 5 X 9 |
| 160549 | SUPPORT |
| 161175 | PROTECTION |
| 190314 | Y-NIPPLE OF PRESS.SWITCH N 2S |
| 200219 | RUBBER GASKET |
| 260329 | VITE M5X12 SPEC.ZIGR.SOTTOTEST |
| 350915 | CONTROL PANEL SUPPORT |
| 390306 | CABLE |
| 450115 | ELASTIC CLAMP D.8,3/7,8 |
| 450137 | COLLAR CONNECTION WITH BASE 31 |
| 461419 | PLATE FC-E 2006 |
| 631209 | ANTI-NOISE FILTER |



03 - 2008 | M. SA.

11 - Rinse aid injector

| CODE | DESCRIPTION |
|-------------|--------------------------------|
| 160108 | INJECT.INLET HOSE D.8X5 |
| 160785 | GUIDE FOR SPRING RINSE AID INJ |
| 180726 | STREINER FOR RINSE AID INJECTO |
| 190339 | RINSE AID INJECTOR CONNECTION |
| 200117 | RUBBER HOSE 7X16 |
| 200122 | HOSE 11X19 |
| 200480 | GASKET F. RINSE CONNECT. |
| 200939 | OR GASKET |
| 200941 | OR GASKET |
| 200942 | VALVE RINSE INJECTOR HVD |
| 261014 | SCREW |
| 330725 | STANDARD BRACKET F.SOLEN.VALV |
| 450102 | CLAMP FE ZN 11-17 H=9 |
| 450103 | CLAMP FE ZN. 13-20 H=9 |
| 450134 | ELASTIC HOSE CLIP D.9,3/8,8 |
| 450235 | SPRING RINSE AID INJECTOR |
| 630632 | DIAPHRAGM RINSE INJECTOR HVD |
| H15229 | NUT |
| H25757 | S/S FLAT WASHER |
| H35388 | RINSE AID INJECTOR GF70/FC-E |
| H35392 | NIPPLE |



03 - 2008 | M. SA

12 - Detergent dispenser

| CODE | DESCRIPTION |
|----------|--------------------------------|
| 160105 | INJECT.INLET HOSE D.6X4 |
| 180726 | STREINER FOR RINSE AID INJECTO |
| 200467 | DUTRAL GASKET F. AIR TRAP |
| 200608/1 | HOSE FOR DISPENSER GERMAC G300 |
| 251213 | INJECTIOR S/S FOR DETERGENT IN |
| 260223 | M5X12 MSH/HD SCREW SPECIAL S/S |
| 260403 | NUTS D.5 |
| 260408 | S/S NUTS D.12 |
| 260503 | STAINL.STEEL FLAT WASHER D5 UN |
| 260511 | GROWER WASHER D.5 |
| 331997 | BRACKET |
| 440632 | DETERGENT INJECTOR |